

ORION

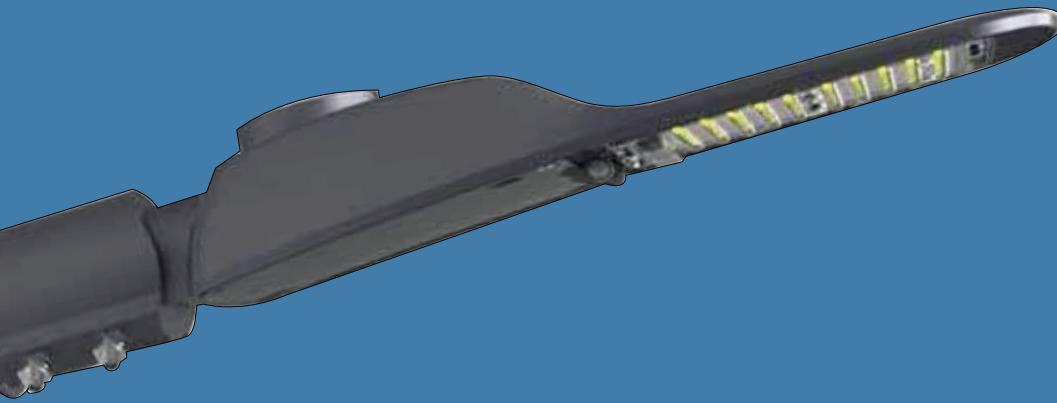
ORION series maximize the cost performance by
introducing Mini, Midi and Maxi covering
15 to 240W.



LED

STREET LIGHTS

ORION MINI SERIES



Available in:

15W



20W



30W



40W



60W



APPLICATIONS:

Public areas - Branch Road, Garden, parking etc.

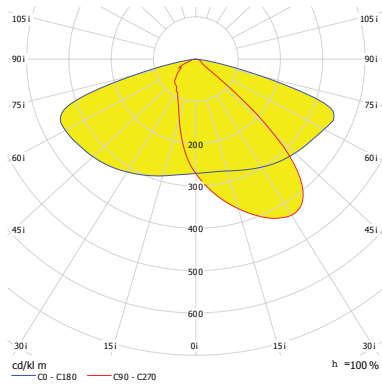


Features & Benefits

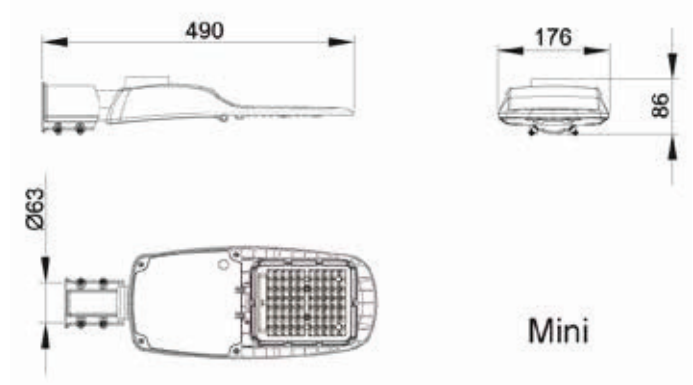
- Die cast aluminium slim body with separate LED and control gear compartment..
- RoHS compliant
- LED compartment covered by tempered glass IK 08 rating and provided with (cooling "through" fins In the maxi range)
- Cree/philips/osram/samsung chips with high lumen output per watt, high CRI , and CCT of 3000k , 4000k - 6500k or any other kelvin temperature required
- The gear compartment designed for tool free
- All hardware used within the fixture are stainless steel to with stand corrosion
- Fixture designed to meet safety requirements in line with IEC 60598
- 0 -10v Dimming
- Luminous efficacy > 130 Lm/ W
- Provision of surge protection device
- Pole mounting piece designed for horizontal mounting



Light Distribution Curve



Dimension Diagram



Specification

Ordering Code	Part Code	Description	Watts (W)	CRI	CCT* (K)	Input Voltage (VAC)	Frequency (Hz)	PF	LM/W	Lumens (lm)	Life (hrs)	Std Pack	Power Factor	Operating Temperature Range	Operating Humidity Range	IP Rating
RO-15	500116011565001	Die cast Aluminium Street Light - LED	15	70	3000/4000/6500	100-277	50-60	0.90	130	1950	100,000	1	0.95	-40 ⁰ c - 50 ⁰ c	10%-90%RH	IP66
RO-20	500116012065001	Die cast Aluminium Street Light - LED	20	70	3000/4000/6500	100-270	50-60	0.90	130	2600	100,000	1	0.95	-40 ⁰ c - 50 ⁰ c	10%-90%RH	IP66
RO-30	500116013065001	Die cast Aluminium Street Light - LED	30	70	3000/4000/6500	100-270	50-60	0.90	130	3900	100,000	1	0.95	-40 ⁰ c - 50 ⁰ c	10%-90%RH	IP66
RO-40	500116014065001	Die cast Aluminium Street Light - LED	40	70	3000/4000/6500	100-270	50-60	0.90	130	5200	100,000	1	0.95	-40 ⁰ c - 50 ⁰ c	10%-90%RH	IP66
RO-60	500116016065001	Die cast Aluminium Street Light - LED	60	70	3000/4000/6500	100-270	50-60	0.90	130	7800	100,000	1	0.95	-40 ⁰ c - 50 ⁰ c	10%-90%RH	IP66

LED

STREET LIGHTS

ORION MIDI SERIES



Available in:



80W



100W



120W



150W



APPLICATIONS:

Public areas - Branch Road, Garden, parking etc.

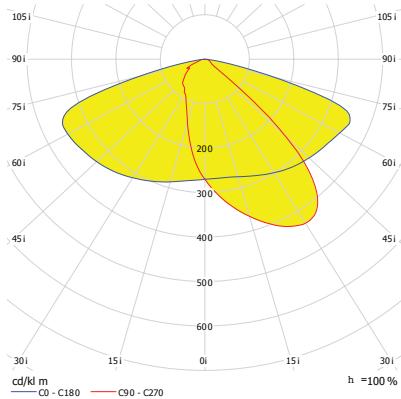


Features & Benefits

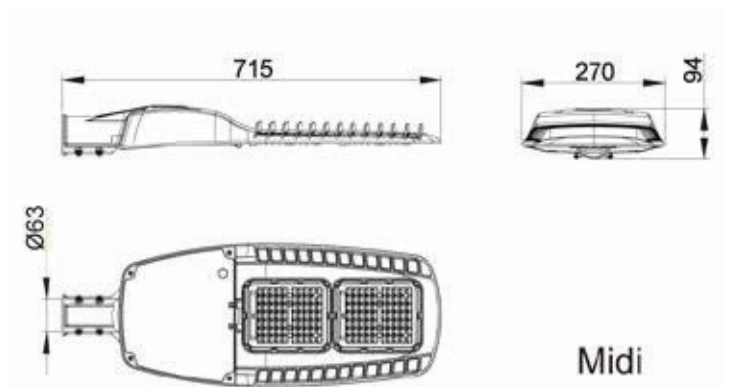
- Die cast aluminium slim body with separate LED and control gear compartment..
- RoHS compliant
- LED compartment covered by tempered glass IK 08 rating and provided with (cooling "through" fins In the maxi range)
- Cree/philips/osram/samsung chips with high lumen output per watt, high CRI , and CCT of 3000k , 4000k - 6500k or any other kelvin temperature required
- The gear compartment designed for tool free
- All hardware used within the fixture are stainless steel to with stand corrosion
- Fixture designed to meet safety requirements in line with IEC 60598
- 0 -10v Dimming
- Luminous efficacy > 130 Lm/ W
- Provision of surge protection device
- Pole mounting piece designed for horizontal mounting



Light Distribution Curve



Dimension Diagram



Specification

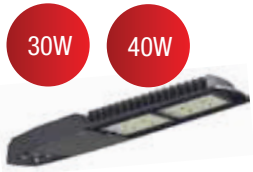
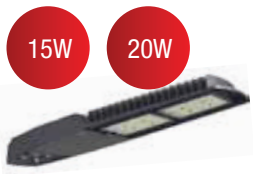
Ordering Code	Part Code	Description	Watts (W)	CRI	CCT* (K)	Input Voltage (VAC)	Frequency (Hz)	PF	LM/W	Lumens (lm)	Life (hrs)	Std Pack	Power Factor	Operating Temperature Range	Operating Humidity Range	IP Rating
R01-80	500116018065001	Die cast Aluminium Street Light - LED	80	70	3000/4000/6500	100 - 277	50-60	0.95	130	10400	100,000	1	0.95	-40 ⁰ c - 50 ⁰ c	10%-90%RH	IP66
R01-100	500116011065001	Die cast Aluminium Street Light - LED	100	70	3000/4000/6500	100 - 270	50-60	0.95	130	13000	100,000	1	0.95	-40 ⁰ c - 50 ⁰ c	10%-90%RH	IP66
R01-120	500116011265001	Die cast Aluminium Street Light - LED	120	70	3000/4000/6500	100 - 270	50-60	0.95	130	15600	100,000	1	0.95	-40 ⁰ c - 50 ⁰ c	10%-90%RH	IP66
R01-150	500116014065001	Die cast Aluminium Street Light - LED	150	70	3000/4000/6500	100 - 270	50-60	0.95	130	19500	100,000	1	0.95	-40 ⁰ c - 50 ⁰ c	10%-90%RH	IP66

ORION MAXI SERIES



Features & Benefits

Available in:



- Die cast aluminium slim body with separate LED and control gear compartment..
- RoHS compliant
- LED compartment covered by tempered glass IK 08 rating and provided with (cooling “through” fins in the maxi range)
- Cree/philips/osram/samsung chips with high lumen output per watt, high CRI , and CCT of 3000k , 4000k - 6500k or any other kelvin temperature required
- The gear compartment designed for tool free
- All hardware used within the fixture are stainless steel to with stand corrosion
- Fixture designed to meet safety requirements in line with IEC 60598
- 0 -10v Dimming
- Luminous efficacy > 130 Lm/ W
- Provision of surge protection device
- Pole mounting piece designed for horizontal mounting

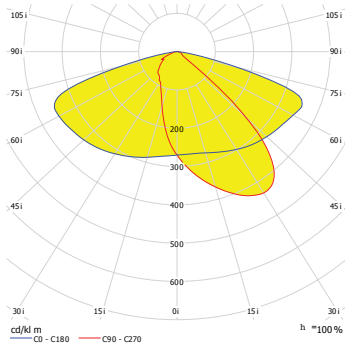
APPLICATIONS:

Public areas - High way, city road, branch road, urban road etc.

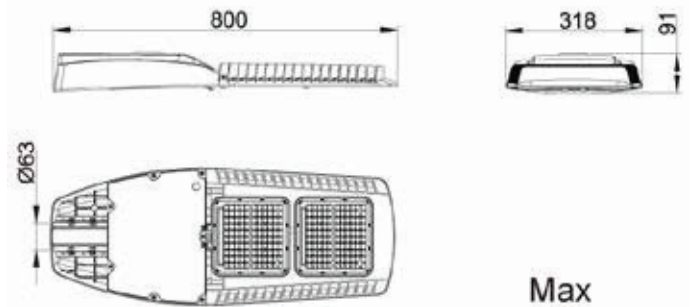




Light Distribution Curve



Dimension Diagram



Specification

Ordering Code	Part Code	Description	Watts (W)	CRI	CCT* (K)	Input Voltage (VAC)	Frequency (Hz)	PF	LM/W	Lumens (lm)	Life (hrs)	Std Pack	Power Factor	Operating Temperature Range	Operating Humidity Range	IP Rating
R01-15	500117011565001	Die cast Aluminium Street Light - LED	15	70	3000/4000/6500	100 - 277	50-60	0.95	130	1950	100,000	1	0.95	-40 ⁰ c - 50 ⁰ c	10%-90%RH	IP66
R01-20	500117012065001	Die cast Aluminium Street Light - LED	20	70	3000/4000/6500	100 - 270	50-60	0.95	130	2600	100,000	1	0.95	-40 ⁰ c - 50 ⁰ c	10%-90%RH	IP66
R01-30	500117013065001	Die cast Aluminium Street Light - LED	30	70	3000/4000/6500	100 - 270	50-60	0.95	130	3900	100,000	1	0.95	-40 ⁰ c - 50 ⁰ c	10%-90%RH	IP66
R01-40	500117014065001	Die cast Aluminium Street Light - LED	40	70	3000/4000/6500	100 - 270	50-60	0.95	130	5200	100,000	1	0.95	-40 ⁰ c - 50 ⁰ c	10%-90%RH	IP66
R01-60	500117016065001	Die cast Aluminium Street Light - LED	60	70	3000/4000/6500	100 - 270	50-60	0.95	130	7800	100,000	1	0.95	-40 ⁰ c - 50 ⁰ c	10%-90%RH	IP66
R01-70	500117017065001	Die cast Aluminium Street Light - LED	70	70	3000/4000/6500	100 - 270	50-60	0.95	130	9100	100,000	1	0.95	-40 ⁰ c - 50 ⁰ c	10%-90%RH	IP66
R01-80	500117018065001	Die cast Aluminium Street Light - LED	80	70	3000/4000/6500	100 - 270	50-60	0.95	130	10400	100,000	1	0.95	-40 ⁰ c - 50 ⁰ c	10%-90%RH	IP66
R01-100	500117011065001	Die cast Aluminium Street Light - LED	100	70	3000/4000/6500	100 - 270	50-60	0.95	130	13000	100,000	1	0.95	-40 ⁰ c - 50 ⁰ c	10%-90%RH	IP66