

NORMA

With one click, NORMA can light up your road with modular construction by offering 80 to 300W model alternatives.



NORMA MIDI SERIES



Available in:



APPLICATIONS:

Public areas - Branch Road, Garden, parking etc.

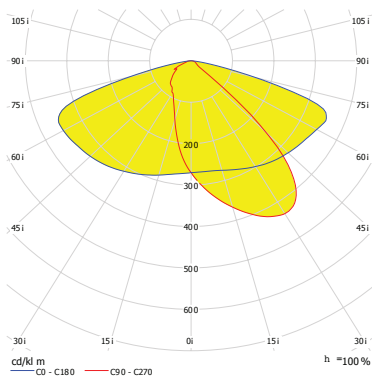


Features & Benefits

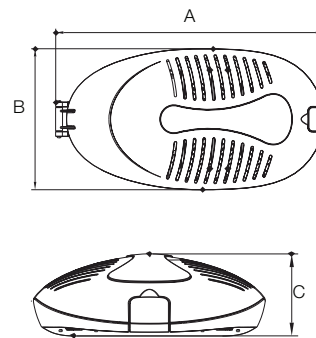
- Die cast aluminium body aerodynamically designed for minimum wind pressure.
- Modular construction
- RoHS compliant
- Cree/philips/osram/samsung chips with high lumen output per watt, high CRI, and CCT of 3000k, 4000k - 6500k or any other kelvin temperature required
- The gear compartment designed for tool free
- Access to LED and gear compartment by opening the top cover through toggles
- All hardware used within the fixture are stainless steel to with stand corrosion
- Fixture designed to meet safety requirements in line with IEC 60598
- 0 -10v Dimming
- Luminous efficacy > 130 Lm/ W
- Provision of surge protection device
- Pole mounting piece designed for horizontal mounting



Light Distribution Curve



Dimension Diagram



Specification

Ordering Code	Part Code	Description	Watts (W)	CRI	CCT* (K)	Input Voltage (VAC)	Frequency (Hz)	PF	LM/W	Lumens (lm)	Life (hrs)	Std Pack	Power Factor	Operating Temperature Range	Operating Humidity Range	IP Rating
RN-80	500118018065001	Die cast Aluminium Street Light - LED	80	70	3000/4000/6500	100-277	50-60	0.95	130	10400	100,000	1	0.95	-40 ⁰ c - 50 ⁰ c	10%-90%RH	IP66
RN-120	500118011265001	Die cast Aluminium Street Light - LED	120	70	3000/4000/6500	100-270	50-60	0.95	130	15600	100,000	1	0.95	-40 ⁰ c - 50 ⁰ c	10%-90%RH	IP66
RN-150	500118011565001	Die cast Aluminium Street Light - LED	150	70	3000/4000/6500	100-270	50-60	0.95	130	19500	100,000	1	0.95	-40 ⁰ c - 50 ⁰ c	10%-90%RH	IP66
RN-200	500118012065001	Die cast Aluminium Street Light - LED	200	70	3000/4000/6500	100-270	50-60	0.95	130	26000	100,000	1	0.95	-40 ⁰ c - 50 ⁰ c	10%-90%RH	IP66

NORMA MAXI SERIES



Available in:

Features & Benefits

250W

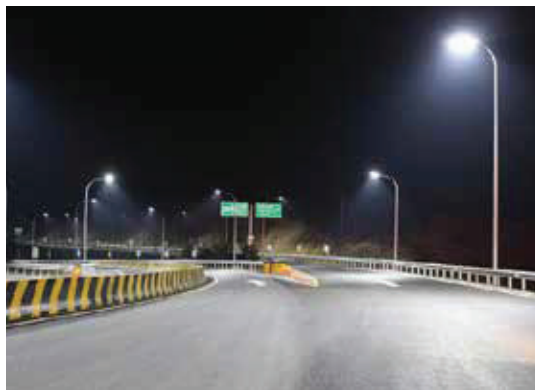


300W



APPLICATIONS:

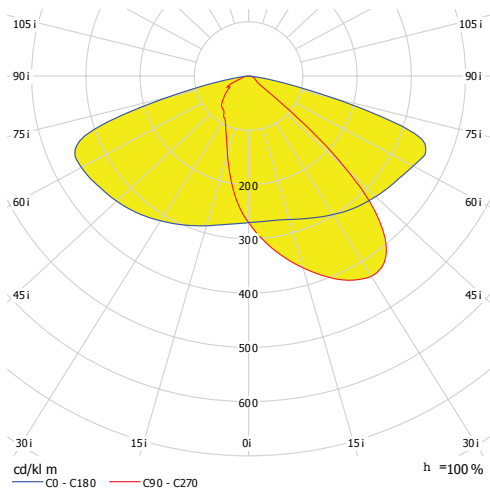
Public areas - High way, city road, branch road, urban road etc.



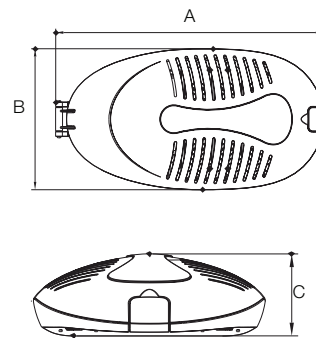
- Die cast aluminium body aerodynamically designed for minimum wind pressure.
- Modular construction
- RoHS compliant
- Cree/philips/osram/samsung chips with high lumen output per watt, high CRI , and CCT of 3000k , 4000k - 6500k or any other kelvin temperature required
- The gear compartment designed for tool free
- Access to LED and gear compartment by opening the top cover through toggles
- All hardware used within the fixture are stainless steel to with stand corrosion
- Fixture designed to meet safety requirements in line with IEC 60598
- 0 -10v Dimming
- Luminous efficacy > 130 Lm/ W
- Provision of surge protection device
- Pole mounting piece designed for horizontal mounting



Light Distribution Curve



Dimension Diagram



Specification

Ordering Code	Part Code	Description	Watts (W)	CRI	CCT* (K)	Input Voltage (VAC)	Frequency (Hz)	PF	LM/W	Lumens (lm)	Life (hrs)	Std Pack	Power Factor	Operating Temperature Range	Operating Humidity Range	IP Rating
RN-250	500119012565001	Die cast Aluminium Street Light - LED	250	70	3000/4000/6500	100 - 277	50-60	0.95	130	32500	100,000	1	0.95	-40 ⁰ c - 50 ⁰ c	10%-90%RH	IP66
RN-300	500119013065001	Die cast Aluminium Street Light - LED	300	70	3000/4000/6500	100 - 270	50-60	0.95	130	39000	100,000	1	0.95	-40 ⁰ c - 50 ⁰ c	10%-90%RH	IP66