

MODULAR ENCLOSURES

'REXTON' modular Enclosures are standard products used for safe and systematic distribution and control of LV applications, suitable for mounting various types of rail mounted components like MCBs, Contactors etc.

POWER Pack



Powder coated
high quality
GI STEEL

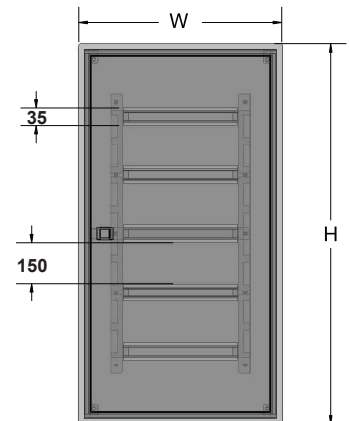
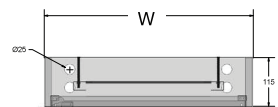
Complies with
IEC 60529

Surface
& Flush
Mounting
Types

Available in
different
COLOR
SHADES

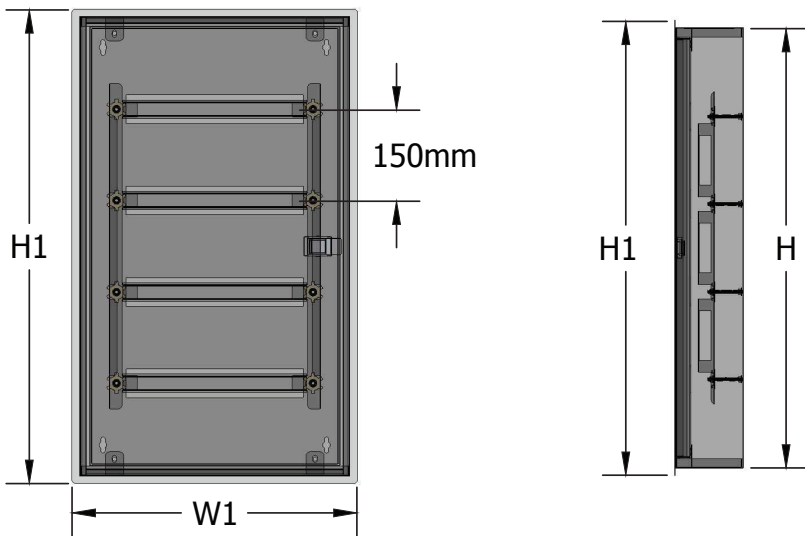
Features

- Available in various row combinations - up to 6 rows.
- Each row suitable for holding up to 16 rail Modules
- Available in different colors and finishes-RAL 7032, RAL 7035, RAL 9010 etc(smooth,texture & matt finish) as per customer requirements.
- Knockouts on both top and bottom sides of enclosures as per specific requirements.
- Adjustable Powder coated rail mounting assembly.
- Enclosures facilitating ease of wiring and heat dissipation
- Door opening position can be easily adjusted as per customer requirements
- Degree of protection IP-41
- Available in flush & surface mounting types
- Available in 24 module rail



ROW DB - 16 MODULE

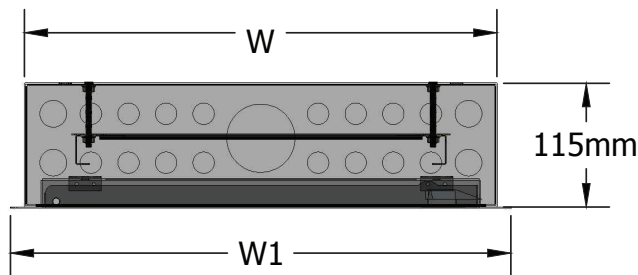
Dimension Reference for Surface Mounting Type



| No of Rows | H | H1 | W | W1 | D |
|------------|------|------|-----|-----|-----|
| 1 Row | 300 | 305 | 440 | 445 | 115 |
| 2 Row | 450 | 455 | 440 | 445 | 115 |
| 3 Row | 600 | 605 | 440 | 445 | 115 |
| 4 Row | 750 | 775 | 440 | 445 | 115 |
| 5 Row | 900 | 905 | 440 | 445 | 115 |
| 6 Row | 1050 | 1055 | 440 | 445 | 115 |

ROW DB - 16 MODULE

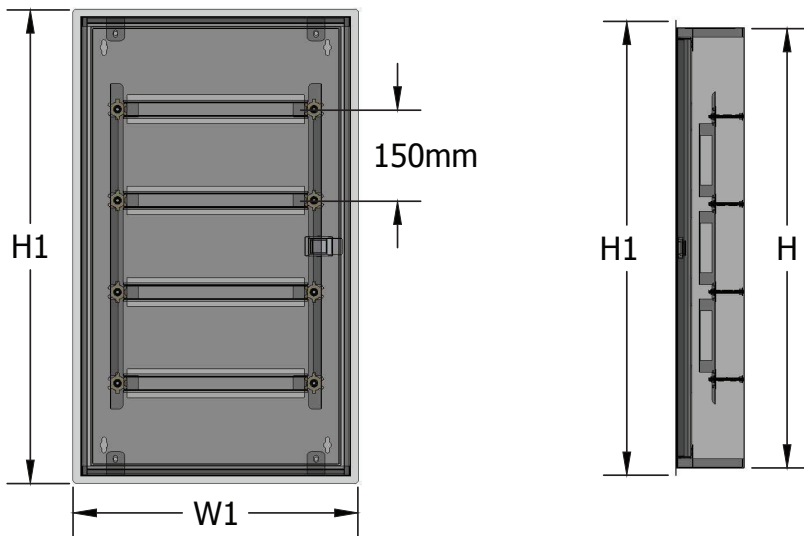
Dimension and Order Reference Number for Flush Mounting Type



| No of Rows | H | H1 | W | W1 | D |
|------------|------|------|-----|-----|-----|
| 1 Row | 300 | 325 | 440 | 465 | 115 |
| 2 Row | 450 | 475 | 440 | 465 | 115 |
| 3 Row | 600 | 625 | 440 | 465 | 115 |
| 4 Row | 750 | 775 | 440 | 465 | 115 |
| 5 Row | 900 | 925 | 440 | 465 | 115 |
| 6 Row | 1050 | 1075 | 440 | 465 | 115 |

ROW DB - 24 MODULE

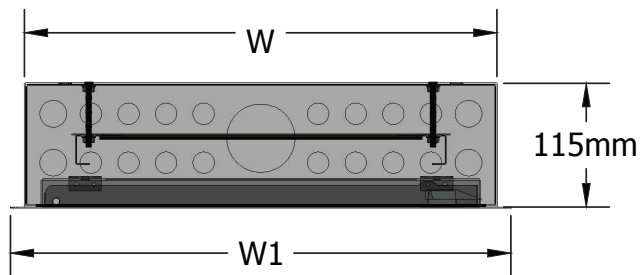
Dimension Reference for Surface Mounting Type



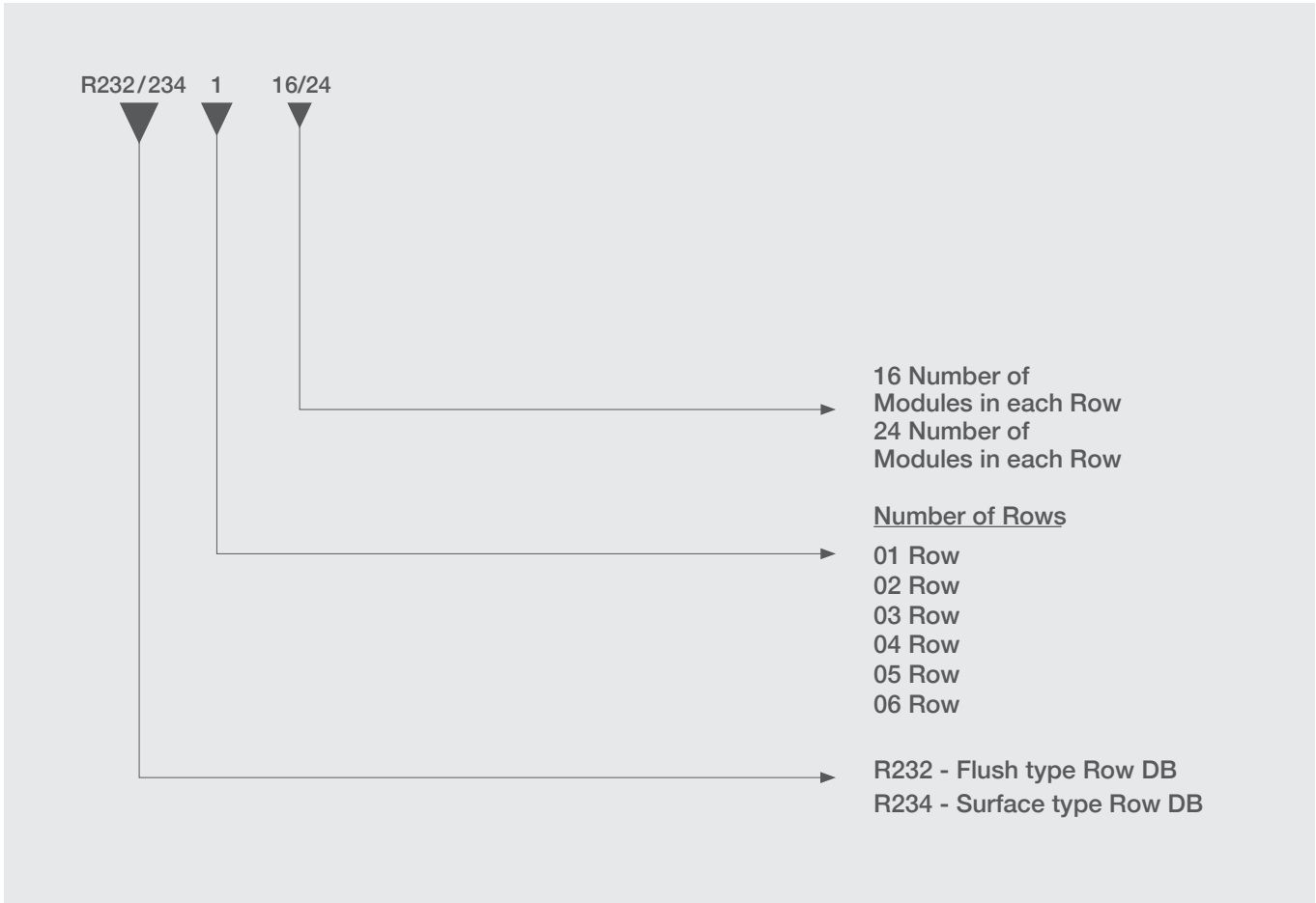
| No of Rows | H | H1 | W | W1 | D |
|------------|------|------|-----|-----|-----|
| 1 Row | 300 | 305 | 585 | 590 | 115 |
| 2 Row | 450 | 455 | 585 | 590 | 115 |
| 3 Row | 600 | 605 | 585 | 590 | 115 |
| 4 Row | 750 | 775 | 585 | 590 | 115 |
| 5 Row | 900 | 905 | 585 | 590 | 115 |
| 6 Row | 1050 | 1055 | 585 | 590 | 115 |

ROW DB - 24 MODULE

Dimension and Order Reference Number for Flush Mounting Type



| No of Rows | H | H1 | W | W1 | D |
|------------|------|------|-----|-----|-----|
| 1 Row | 300 | 325 | 585 | 610 | 115 |
| 2 Row | 450 | 475 | 585 | 610 | 115 |
| 3 Row | 600 | 625 | 585 | 610 | 115 |
| 4 Row | 750 | 775 | 585 | 610 | 115 |
| 5 Row | 900 | 925 | 585 | 610 | 115 |
| 6 Row | 1050 | 1075 | 585 | 610 | 115 |



| Part Code | Description |
|-----------|---|
| R2321-16 | Distribution Board 1 Row 16Module-Flush |
| R2322-32 | Distribution Board 2 Row 16Module-Flush |
| R2323-48 | Distribution Board 3 Row 16Module-Flush |
| R2324-64 | Distribution Board 4 Row 16Module-Flush |
| R2325-80 | Distribution Board 5 Row 16Module-Flush |
| R2326-96 | Distribution Board 6 Row 16Module-Flush |
| R2321-24 | Distribution Board 1 Row 24Module-Flush |
| R2322-48 | Distribution Board 2 Row 24Module-Flush |
| R2323-72 | Distribution Board 3 Row 24Module-Flush |
| R2324-96 | Distribution Board 4 Row 24Module-Flush |
| R2325-120 | Distribution Board 5 Row 24Module-Flush |
| R2326-144 | Distribution Board 6 Row 24Module-Flush |

| Part Code | Description |
|-----------|---|
| R2341-16 | Distribution Board 1 Row 16Module-Surface |
| R2342-32 | Distribution Board 2 Row 16Module-Surface |
| R2343-48 | Distribution Board 3 Row 16Module-Surface |
| R2344-64 | Distribution Board 4 Row 16Module-Surface |
| R2345-80 | Distribution Board 5 Row 16Module-Surface |
| R2346-96 | Distribution Board 6 Row 16Module-Surface |
| R2341-24 | Distribution Board 1 Row 24Module-Surface |
| R2342-48 | Distribution Board 2 Row 24Module-Surface |
| R2343-72 | Distribution Board 3 Row 24Module-Surface |
| R2344-96 | Distribution Board 4 Row 24Module-Surface |
| R2345-120 | Distribution Board 5 Row 24Module-Surface |
| R2346-144 | Distribution Board 6 Row 24Module-Surface |