

CENTAUR

A streamlined product design with robust construction in Mirco,
Mini, Midi and Maxi housings offers 15 to 200W model options
for different applications.



CENTAUR MINI SERIES



Available in:

Features & Benefits



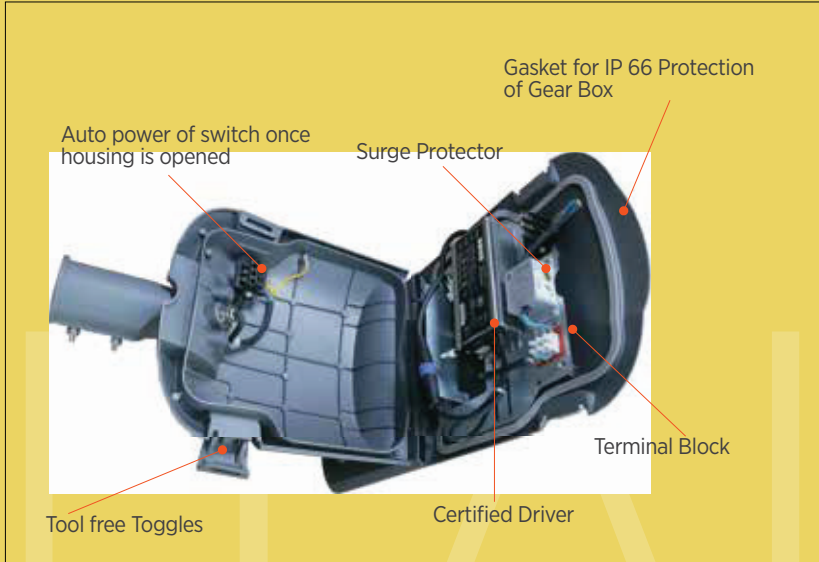
APPLICATIONS:

Public areas - Garden, parking etc.



- Die cast aluminium body with separate LED and control gear compartment.
- RoHS compliant
- LED compartment covered by tempered glass IK 08 rating and provided with cooling fins
- Cree/philips/osram/samsung chips with high lumen output per watt, high CRI, and CCT of 3000k, 4000k - 6500k or any other kelvin temperature required
- The gear compartment designed for tool free access to allow for ease of maintenance
- All hardware used within the fixture are stainless steel to with stand corrosion
- Fixture designed to meet safety requirements inline with IEC 60598
- Provision of safety cut off switch when the luminaire is opened for any maintenance purposes
- Provision for NEMA socket for lighting management control
- 0 -10v dimming
- Luminous efficacy > 130 Lm/ W
- Provision of surge protection device
- Pole mounting piece designed for horizontal or vertical mounting

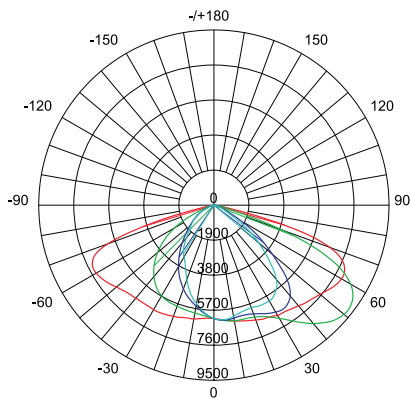
Internal Design Features



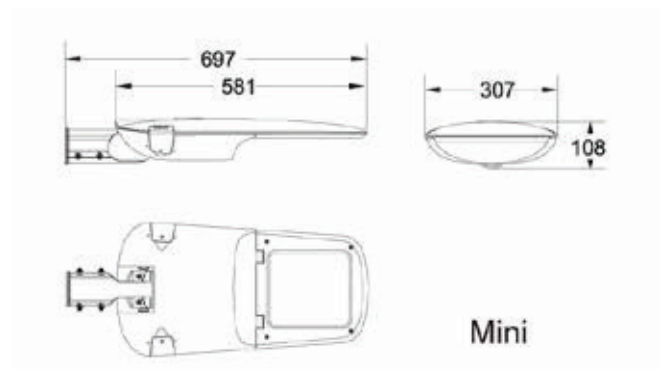
External Design Features



Light Distribution Curve



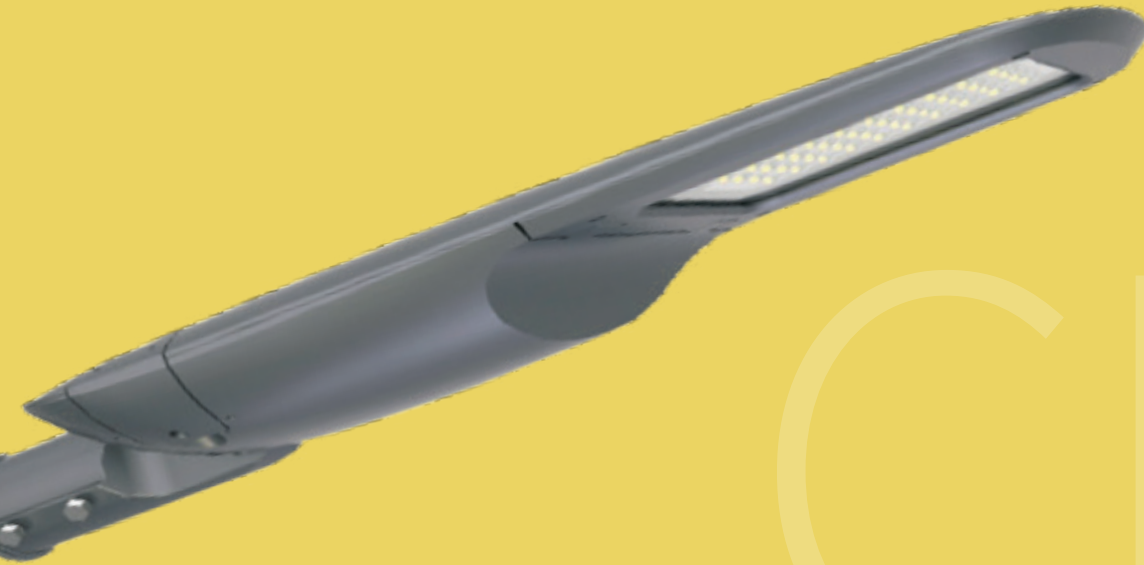
Dimension Diagram



Specification

Ordering Code	Part Code	Description	Watts (W)	CRI	CCT* (K)	Input Voltage (VAC)	Frequency (Hz)	PF	LM/W	Lumens (lm)	Life (hrs)	Std Pack	Power Factor	Operating Temperature Range	Operating Humidity Range	IP Rating
RC-15	500114011565001	Die cast Aluminium Street Light - LED	15	70	3000/4000/6500	100 - 277	50-60	0.90	130	1950	100,000	1	0.9	-40 ^o c - 50 ^o c	10%-90%RH	IP66
RC-25	500114012565001	Die cast Aluminium Street Light - LED	25	70	3000/4000/6500	100 - 277	50-60	0.90	130	3250	100,000	1	0.9	-40 ^o c - 50 ^o c	10%-90%RH	IP66
RC-35	500114013565001	Die cast Aluminium Street Light - LED	35	70	3000/4000/6500	100 - 277	50-60	0.90	130	4550	100,000	1	0.9	-40 ^o c - 50 ^o c	10%-90%RH	IP66
RC-45	500114014565001	Die cast Aluminium Street Light - LED	45	70	3000/4000/6500	100 - 277	50-60	0.90	130	5850	100,000	1	0.9	-40 ^o c - 50 ^o c	10%-90%RH	IP66

CENTAUR MIDI SERIES



Available in:



Features & Benefits

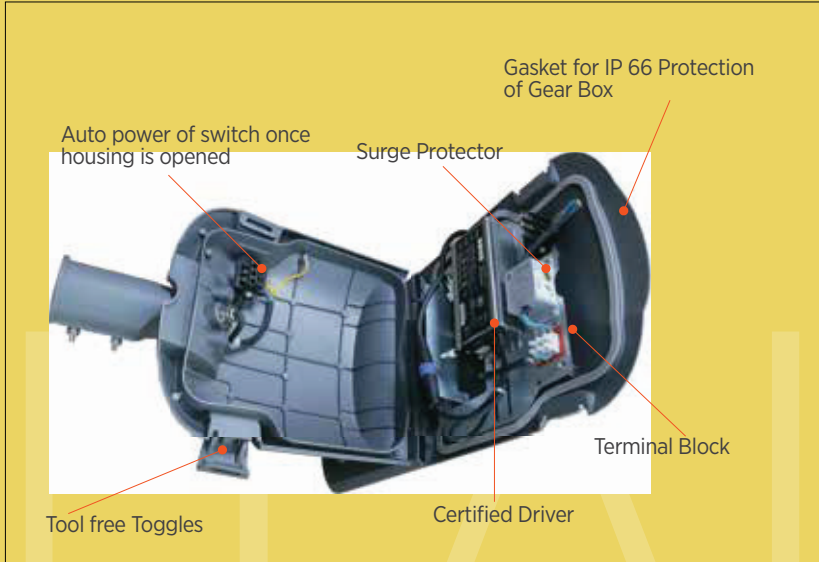
- Die cast aluminium body with separate LED and control gear compartment.
- RoHS compliant
- LED compartment covered by tempered glass IK 08 rating and provided with cooling fins
- Cree/philips/osram/samsung chips with high lumen output per watt, high CRI, and CCT of 3000k, 4000k - 6500k or any other kelvin temperature required
- The gear compartment designed for tool free access to allow for ease of maintenance
- All hardware used within the fixture are stainless steel to with stand corrosion
- Fixture designed to meet safety requirements inline with IEC 60598
- Provision of safety cut off switch when the luminaire is opened for any maintenance purposes
- Provision for NEMA socket for lighting management control
- 0 -10v dimming
- Luminous efficacy > 130 Lm/ W
- Provision of surge protection device
- Pole mounting piece designed for horizontal or vertical mounting

APPLICATIONS:

Public areas - Branch road, Urban road, Rural road, Parking etc.



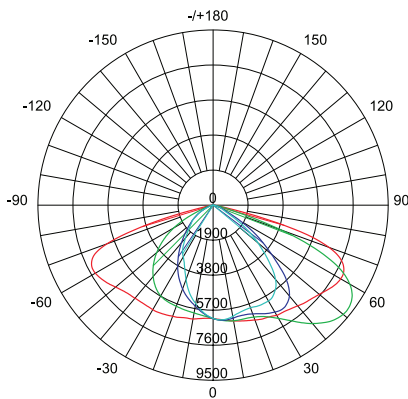
Internal Design Features



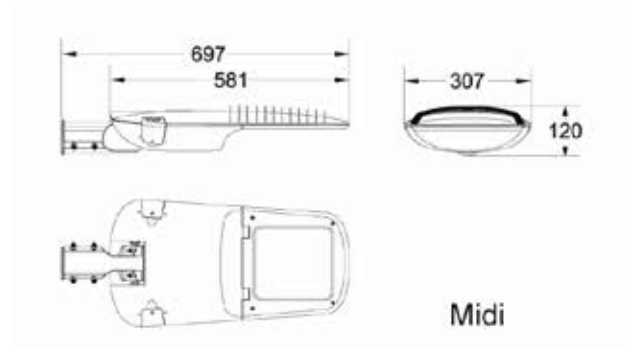
External Design Features



Light Distribution Curve



Dimension Diagram



Specification

Ordering Code	Part Code	Description	Watts (W)	CRI	CCT* (K)	Input Voltage (VAC)	Frequency (Hz)	PF	LM/W	Lumens (lm)	Life (hrs)	Std Pack	Power Factor	Operating Temperature Range	Operating Humidity Range	IP Rating
RC-60	500115011565001	Die cast Aluminium Street Light - LED	60	70	3000/4000/6500	100 - 277	50-60	0.90	130	7800	100,000	1	0.9	-40 ⁰ c - 50 ⁰ c	10%-90%RH	IP66
RC-90	500115011865001	Die cast Aluminium Street Light - LED	90	70	3000/4000/6500	100 - 277	50-60	0.90	130	11700	100,000	1	0.9	-40 ⁰ c - 50 ⁰ c	10%-90%RH	IP66
RC-120	500115012065001	Die cast Aluminium Street Light - LED	120	70	3000/4000/6500	100 - 277	50-60	0.90	130	15600	100,000	1	0.9	-40 ⁰ c - 50 ⁰ c	10%-90%RH	IP66

CENTAUR MAXI SERIES



Available in:



Features & Benefits

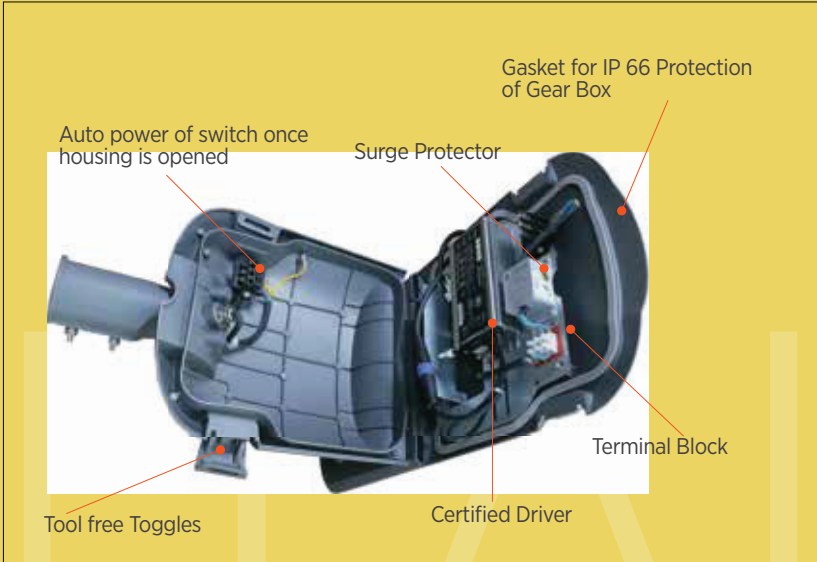
- Die cast aluminium body with separate LED and control gear compartment.
- RoHS compliant
- LED compartment covered by tempered glass IK 08 rating and provided with cooling fins
- Cree/philips/osram/samsung chips with high lumen output per watt, high CRI, and CCT of 3000k, 4000k - 6500k or any other kelvin temperature required
- The gear compartment designed for tool free access to allow for ease of maintenance
- All hardware used within the fixture are stainless steel to with stand corrosion
- Fixture designed to meet safety requirements inline with IEC 60598
- Provision of safety cut off switch when the luminaire is opened for any maintenance purposes
- Provision for NEMA socket for lighting management control
- 0 -10v dimming
- Luminous efficacy > 130 Lm/ W
- Provision of surge protection device
- Pole mounting piece designed for horizontal or vertical mounting

APPLICATIONS:

Public areas - High way, city road, branch road, urban road etc.



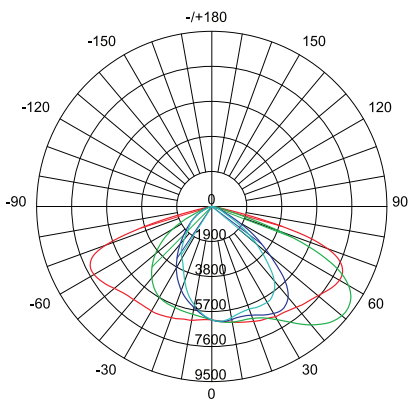
Internal Design Features



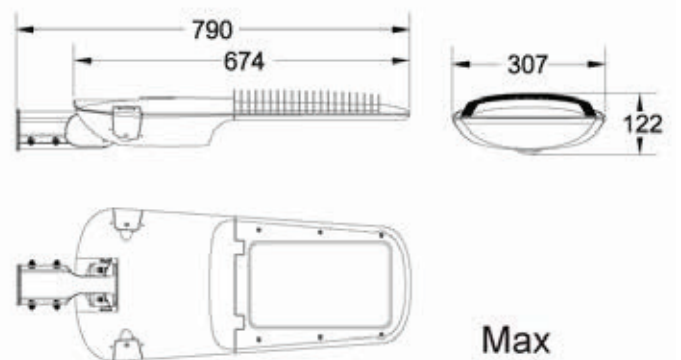
External Design Features



Light Distribution Curve



Dimension Diagram



Specification

Ordering Code	Part Code	Description	Watts (W)	CRI	CCT* (K)	Input Voltage (VAC)	Frequency (Hz)	PF	LM/W	Lumens (lm)	Life (hrs)	Std Pack	Power Factor	Operating Temperature Range	Operating Humidity Range	IP Rating
RC-150	500115011565001	Die cast Aluminium Street Light - LED	150	70	3000/4000/6500	100 - 277	50-60	0.90	130	19500	100,000	1	0.9	-40 ⁰ c - 50 ⁰ c	10%-90%RH	IP66
RC-180	500115011865001	Die cast Aluminium Street Light - LED	180	70	3000/4000/6500	100 - 277	50-60	0.90	130	23400	100,000	1	0.9	-40 ⁰ c - 50 ⁰ c	10%-90%RH	IP66
RC-200	500115012065001	Die cast Aluminium Street Light - LED	200	70	3000/4000/6500	100 - 277	50-60	0.90	130	26000	100,000	1	0.9	-40 ⁰ c - 50 ⁰ c	10%-90%RH	IP66